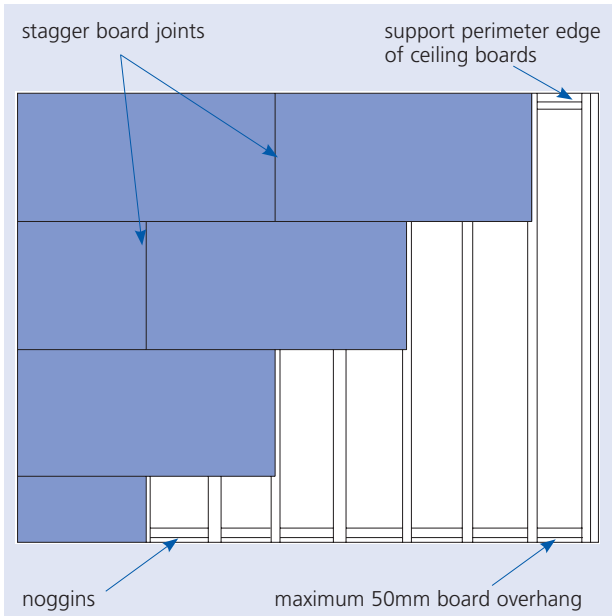
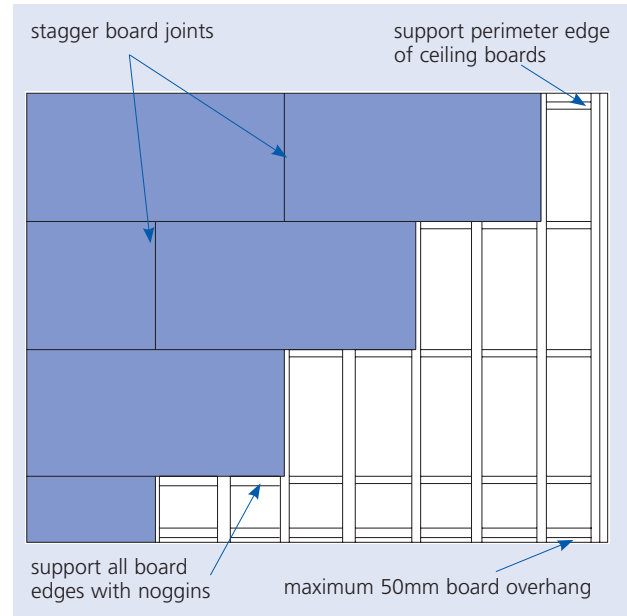


# fixing of plasterboard ceilings

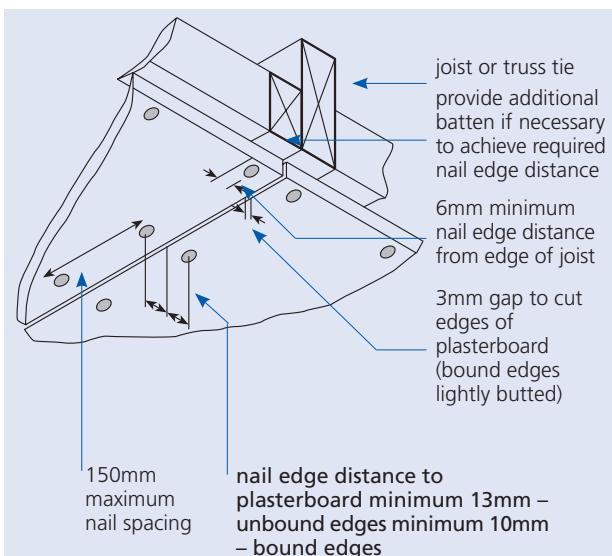


**Plasterboard ceilings with 2 coat plaster finish**



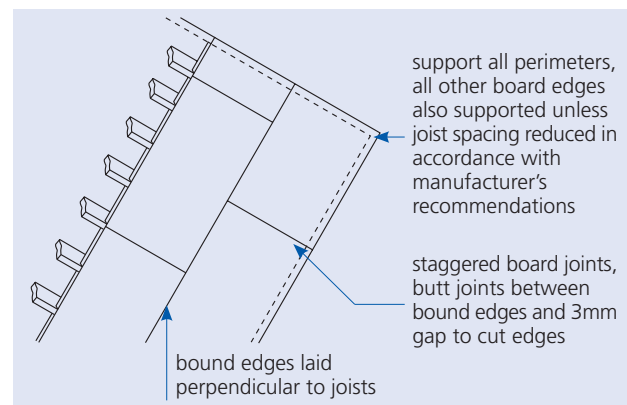
**Plasterboard ceiling for direct finish**

N.B. All cut edges should be supported by noggins or joists



**Diagram 3.21: plasterboard – layout of boards**

The use of screw fixings at 230mm max. centres is recommended as it reduces the problems associated with shrinkage.



**Diagram 3.21: plasterboard – layout of boards**

N.B. Joints between plasterboards and adjacent walls, ceilings, openings and finishes should be neatly made.

It is strongly recommended by most manufacturers that plasterboard is screw fixed.

**Zurich Building Guarantee**

Zurich House, 2 Gladiator Way, Farnborough, Hampshire, GU14 6GB.  
Telephone 01252 377474 Fax 01252 372989 Email [building.guarantee@uk.zurich.com](mailto:building.guarantee@uk.zurich.com) [www.zurich.co.uk/buildingguarantee](http://www.zurich.co.uk/buildingguarantee)  
Zurich Building Guarantee is a trading name of Zurich Insurance plc. A public limited company incorporated in Ireland. Registration No. 13460.  
Registered Office: Zurich House, Ballsbridge Park, Dublin 4, Ireland. UK Branch registered in England and Wales Registration No. BR7985.  
Authorised by the Irish Financial Regulator and subject to limited regulation by the Financial Services Authority. Details about the extent of our regulation by the Financial Services Authority are available from us on request. FSA registration number 203093. These details can be checked on the FSA's register by visiting their website [www.fsa.gov.uk/register](http://www.fsa.gov.uk/register) or by contacting them on 0845 606 1234.  
Communications may be monitored or recorded to improve our service and for security and regulatory purposes. © Copyright – Zurich Insurance plc 2009.  
All rights reserved. Reproduction, adaptation or translation without prior written permission is prohibited except as allowed under copyright laws.